

Fit Series - Multi-Press

FSMP

Parts Manual

2/5/2024 21:37:51 PM



Table of Contents

Component Assembly 1	3
Component Assembly 10	4
Component Assembly 11	5
Component Assembly 12	6
Component Assembly 13	7
Component Assembly 14	8
Component Assembly 15	9
Component Assembly 16	10
Component Assembly 17	11
Component Assembly 18	12
Component Assembly 19	13
Component Assembly 3	14
Component Assembly 4	15
Component Assembly 5	16
Component Assembly 6	17
Component Assembly 7	18
Component Assembly 8	19
Component Assembly 9	20
Miscellaneous	21

Component Assembly 1

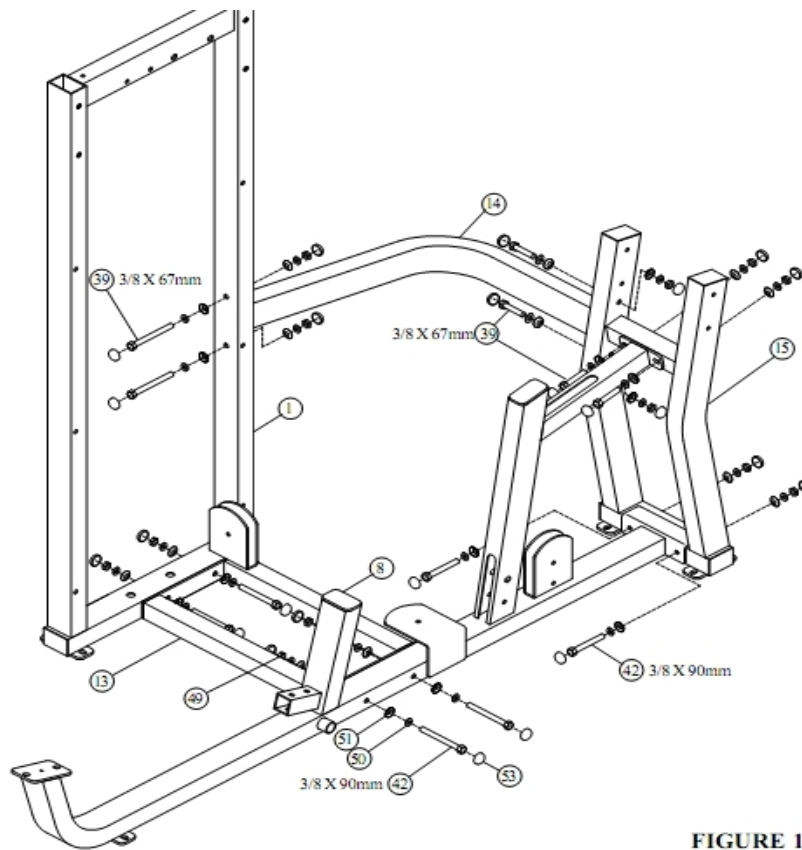
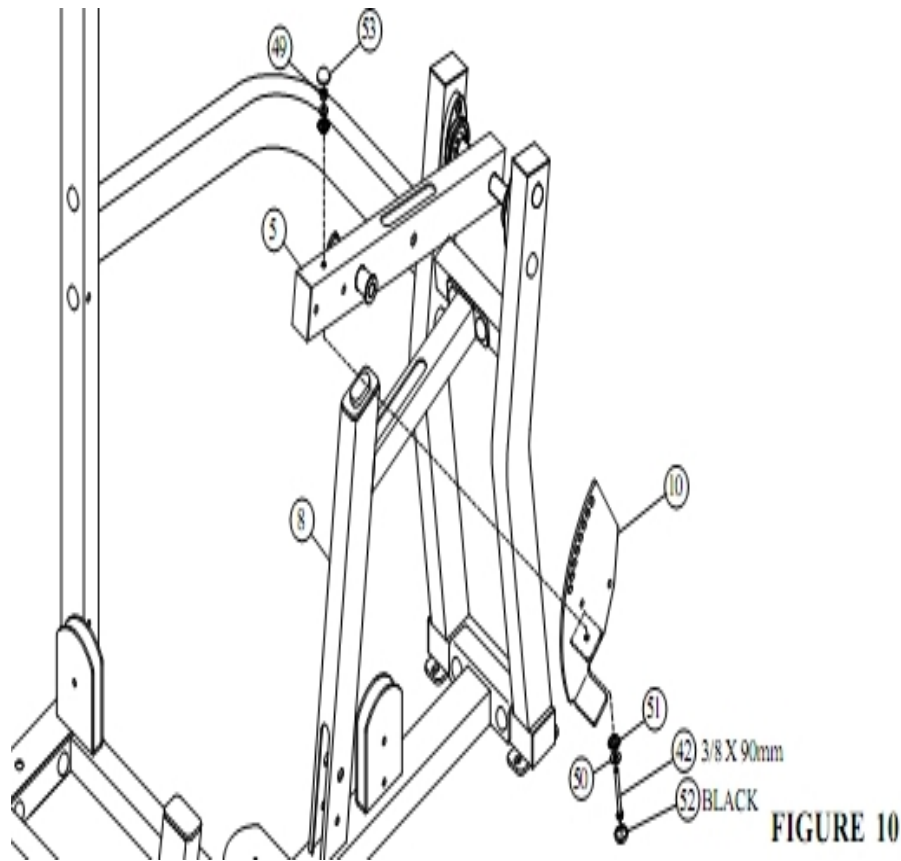


FIGURE 1

Ref #	Part Number	Qty	Description
1	ACU04-1643PLT	1	ACU:WLDMNT;PIVOT ARM;PLATINUM
8	ACU04-1642WHT	1	MULTI PRESS FRAME WHT
8	ACU04-1642PLT	1	MULTI PRESS FRAME PLT
13	ACU04-1646WHT	1	BASE FRAME WHT
13	ACU04-1646PLT	1	BASE FRAME PLT
14	ACU04-1645WHT	1	UPPER SUPPORT WHT
14	ACU04-1645PLAT	1	UPPER SUPPORT
15	ACU04-1644PLT	1	WLDMNT:REAR SUPPORT;PLAT
39	ACUDA1C03806716 NU	14	3/8 X 67MM Bolt
42	ACUDA1C03809016 NU	7	HEX BOLT - 3/8 X 90L
49	ACUDB2E03807200 U	37	NYLON NUT - 3/8 X 7.2T
50	ACUDC120010510U	69	WASHER, FLAT 3/8" SAE ST ZN - 20X10.5X1.0
51	ACU05-0310	69	SHIM WASHER - 27.6 X 10.3 X0.6
53	ACU06-0357PLAT	52	CAP - RH PLAT
53	ACU06-0357WHT	52	CAP - RH WHT

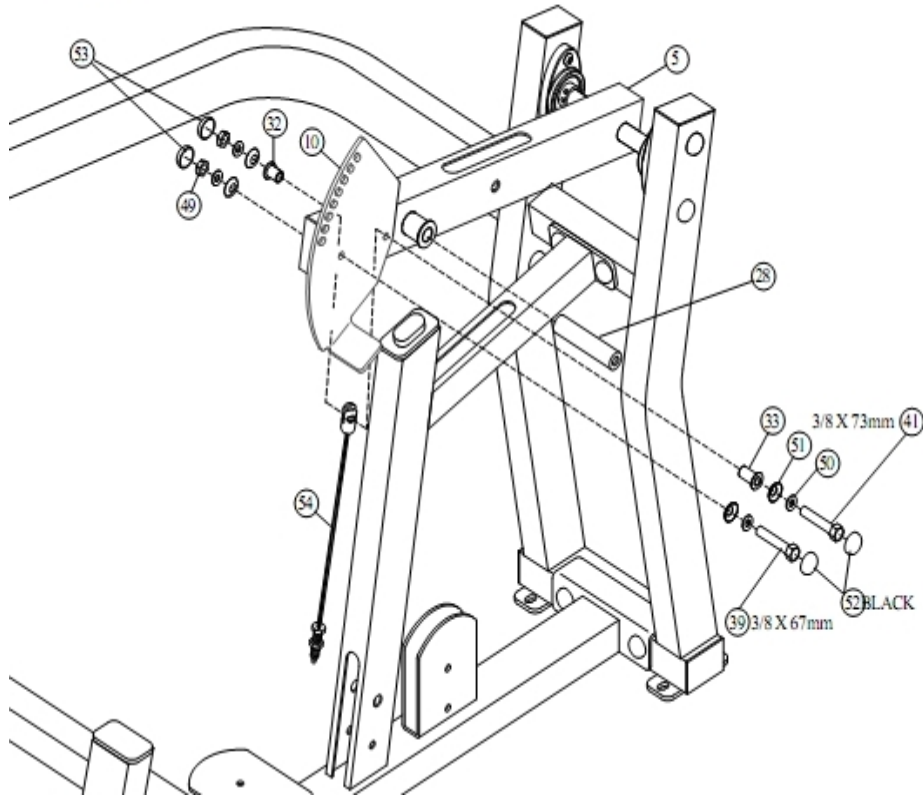
Component Assembly 10



Ref #	Part Number	Qty	Description
5	ACU04-1643PLT	1	ACU:WLDMNT;PIVOT ARM;PLATIMUM
8	ACU04-1642WHT	1	MULTI PRESS FRAME WHT
8	ACU04-1642PLT	1	MULTI PRESS FRAME PLT
10	ACU04-1385	1	PLATE PRESS ARM ADJUSTER - CP
42	ACUDA1C03809016 NU	7	HEX BOLT - 3/8 X 90L
49	ACUDB2E03807200 U	37	NYLON NUT - 3/8 X 7.2T
50	ACUDC120010510U	69	WASHER, FLAT 3/8" SAE ST ZN - 20X10.5X1.0
51	ACU05-0310	69	SHIM WASHER - 27.6 X 10.3 X0.6
52	ACU06-0357BLK	17	CAP - RH BLK
53	ACU06-0357WHT	52	CAP - RH WHT
53	ACU06-0357PLAT	52	CAP - RH PLAT

Component Assembly 11

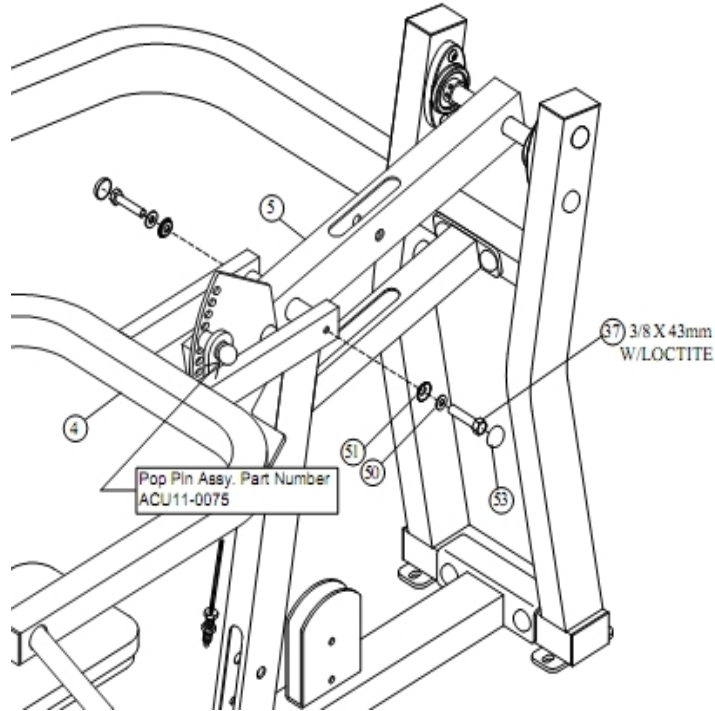
FIGURE 11



Ref #	Part Number	Qty	Description
5	ACU04-1643PLT	1	ACU:WLDMNT;PIVOT ARM;PLATINUM
10	ACU04-1385	1	PLATE PRESS ARM ADJUSTER - CP
28	ACU03-0536	1	PRESS ARM PIVOT SHAFT - 3/4 X
32	ACU08-0078	1	BEARING FLANGE - 16.2 X 10 X 1
33	ACU08-0077	1	BEARING FLANGE - 16.2 X 10 X 2
39	ACUDA1C03806716 NU	14	3/8 X 67MM Bolt
41	ACUDA1C03807316 NU	3	3/8 X 73MM BOLT
49	ACUDB2E03807200 U	37	NYLON NUT - 3/8 X 7.2T
50	ACUDC120010510U	69	WASHER, FLAT 3/8" SAE ST ZN - 20X10.5X1.0
51	ACU05-0310	69	SHIM WASHER - 27.6 X 10.3 X0.6
52	ACU06-0357BLK	17	CAP - RH BLK
53	ACU06-0357PLAT	52	CAP - RH PLAT
53	ACU06-0357WHT	52	CAP - RH WHT
54	ACUP13-0124	1	Multi Press Cable, FSMP

Component Assembly 12

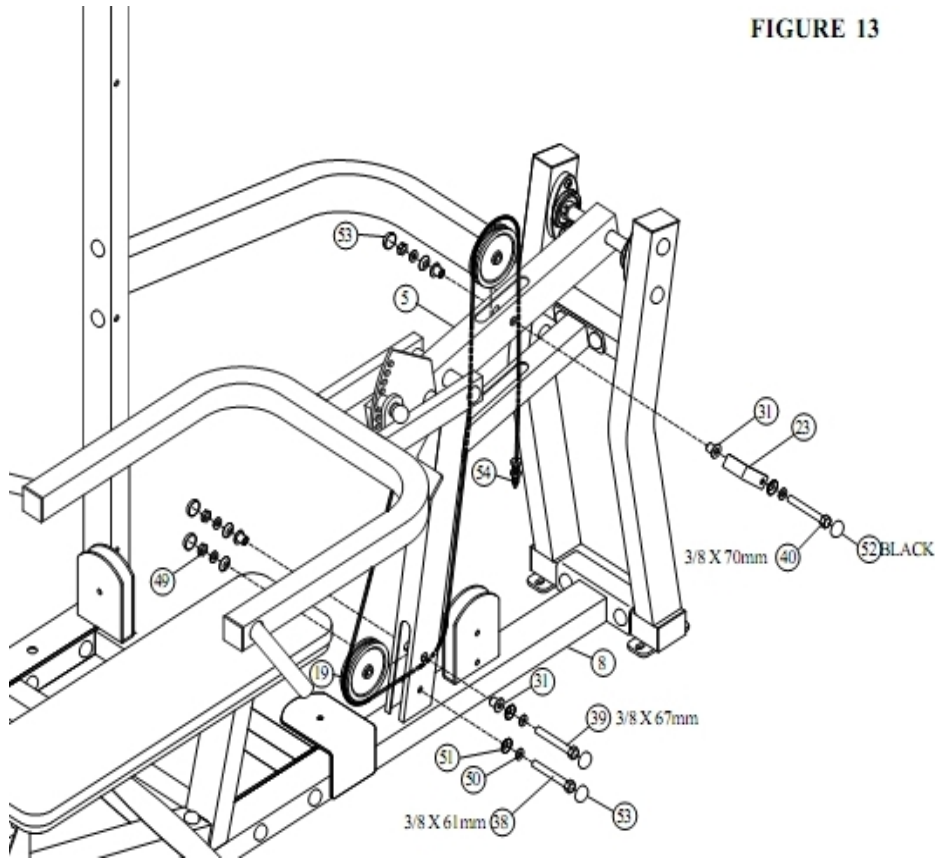
FIGURE 12



Ref #	Part Number	Qty	Description
4	ACU04-1338WHT	1	PRESS ARM - WHT
4	ACU04-1338PLAT	1	PRESS ARM - PLAT
5	ACU04-1643PLT	1	ACU:WLDMNT;PIVOT ARM;PLATIMUM
37	ACUDA1C03804316 YU	2	HEX BOLT - 3/8 X 43L W/ LOCKT
50	ACUDC120010510U	69	WASHER, FLAT 3/8" SAE ST ZN - 20X10.5X1.0
51	ACU05-0310	69	SHIM WASHER - 27.6 X 10.3 X0.6
53	ACU06-0357PLAT	52	CAP - RH PLAT
53	ACU06-0357WHT	52	CAP - RH WHT

Component Assembly 13

FIGURE 13



Ref #	Part Number	Qty	Description
5	ACU04-1643PLT	1	ACU:WLDMNT;PIVOT ARM;PLATINUM
8	ACU04-1642WHT	1	MULTI PRESS FRAME WHT
8	ACU04-1642PLT	1	MULTI PRESS FRAME PLT
19	ACU06-0025	7	PULLEY 4 1/2
23	ACU02-1304	1	2-7/8 X 2-1/4 CABLE CLIP - BLK
31	ACU08-0085	8	3/8 X 1/2 FLANGE SPACER
38	ACUDA1C03806116 NU	2	HEX Bolt - 3/8 X 61L
39	ACUDA1C03806716 NU	14	3/8 X 67MM Bolt
40	ACUDA1C03807016 NU	1	HEX Bolt - 3/8 X 70L
49	ACUDB2E03807200 U	37	NYLON NUT - 3/8 X 7.2T
50	ACUDC120010510U	69	WASHER, FLAT 3/8" SAE ST ZN - 20X10.5X1.0
51	ACU05-0310	69	SHIM WASHER - 27.6 X 10.3 X0.6
52	ACU06-0357BLK	17	CAP - RH BLK
53	ACU06-0357WHT	52	CAP - RH WHT
53	ACU06-0357PLAT	52	CAP - RH PLAT
54	ACUP13-0124	1	Multi Press Cable, FSMP

Component Assembly 14

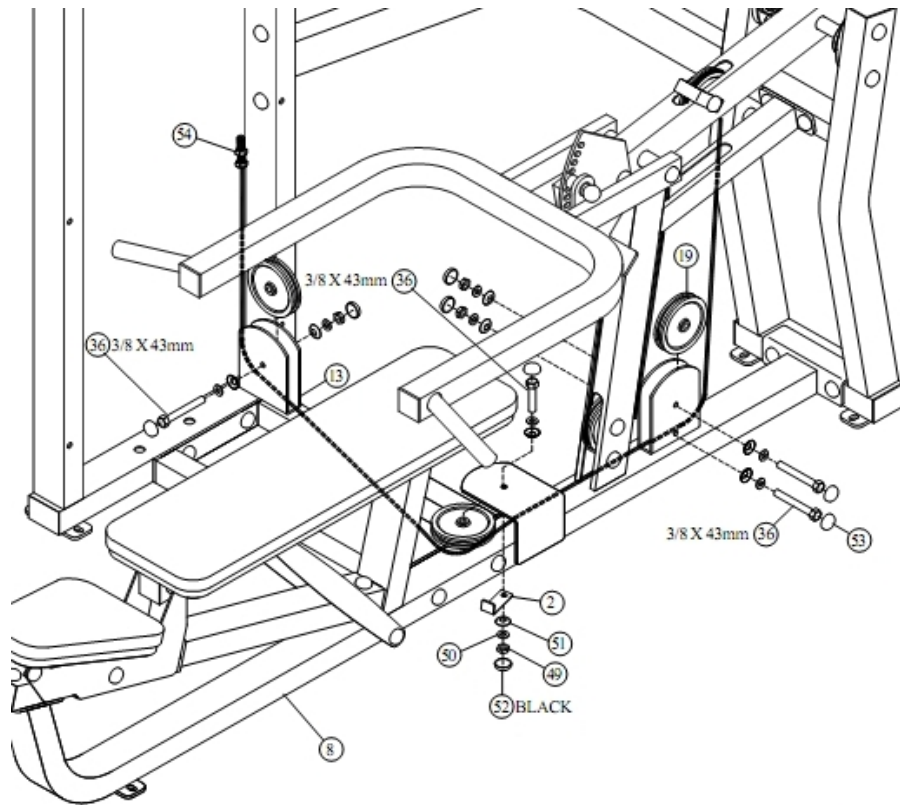


FIGURE 14

Ref #	Part Number	Qty	Description
2	ACU02-0078	1	L PULLEY COVER - BLK
8	ACU04-1642WHT	1	MULTI PRESS FRAME WHT
8	ACU04-1642PLT	1	MULTI PRESS FRAME PLT
13	ACU04-1646WHT	1	BASE FRAME WHT
13	ACU04-1646PLT	1	BASE FRAME PLT
19	ACU06-0025	7	PULLEY 4 1/2
36	ACUDA1C03804316 NU	4	HEX BOLT - 3/8 X 43L
49	ACUDB2E03807200 U	37	NYLON NUT - 3/8 X 7.2T
50	ACUDC120010510U	69	WASHER, FLAT 3/8" SAE ST ZN - 20X10.5X1.0
51	ACU05-0310	69	SHIM WASHER - 27.6 X 10.3 X0.6
52	ACU06-0357BLK	17	CAP - RH BLK
53	ACU06-0357PLAT	52	CAP - RH PLAT
53	ACU06-0357WHT	52	CAP - RH WHT
54	ACUP13-0124	1	Multi Press Cable, FSMP

Component Assembly 15

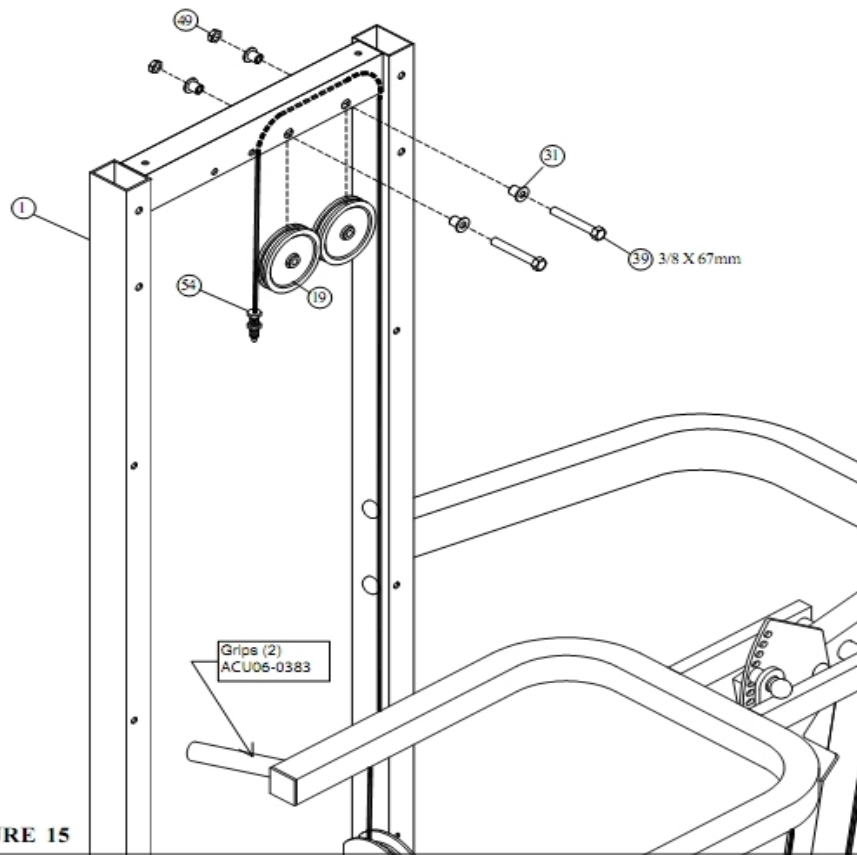


FIGURE 15

Ref #	Part Number	Qty	Description
1	ACU04-1643PLT	1	ACU:WLDMNT;PIVOT ARM;PLATINUM
19	ACU06-0025	7	PULLEY 4 1/2
31	ACU08-0085	8	3/8 X 1/2 FLANGE SPACER
39	ACUDA1C03806716 NU	14	3/8 X 67MM Bolt
49	ACUDB2E03807200 U	37	NYLON NUT - 3/8 X 7.2T
54	ACUP13-0124	1	Multi Press Cable, FSMP

Component Assembly 16

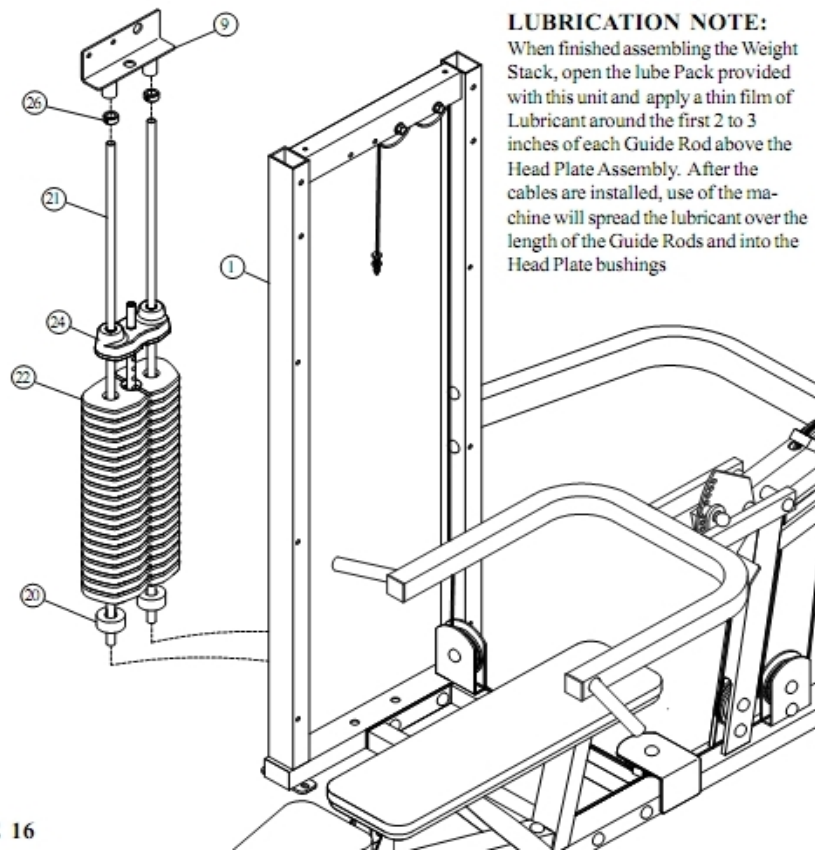


FIGURE 16

Ref #	Part Number	Qty	Description
1	ACU04-1643PLT	1	ACU:WLDMNT;PIVOT ARM;PLATINUM
9	ACU04-1639PLAT	1	Guide Rod Holder
9	ACU04-1639WHT	1	Guide Rod Support White
20	ACU06-0304	2	CUSHION; WEIGHT STACK 3/4 ID
21	ACU01-2387	2	Guide Rod
22	ACU7292501	20	Weight Plate
24	ACU10-0204ASY	1	HEAD PLATE + 20 PLATE STEM
26	ACU05-0212	2	SHAFT COLLAR

Component Assembly 17

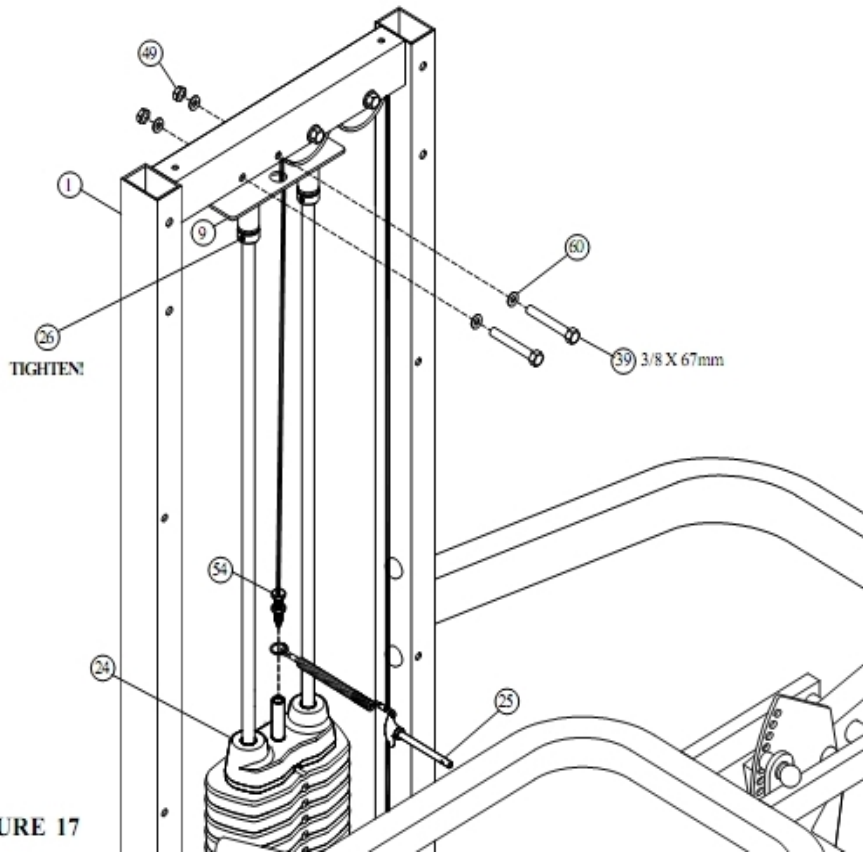
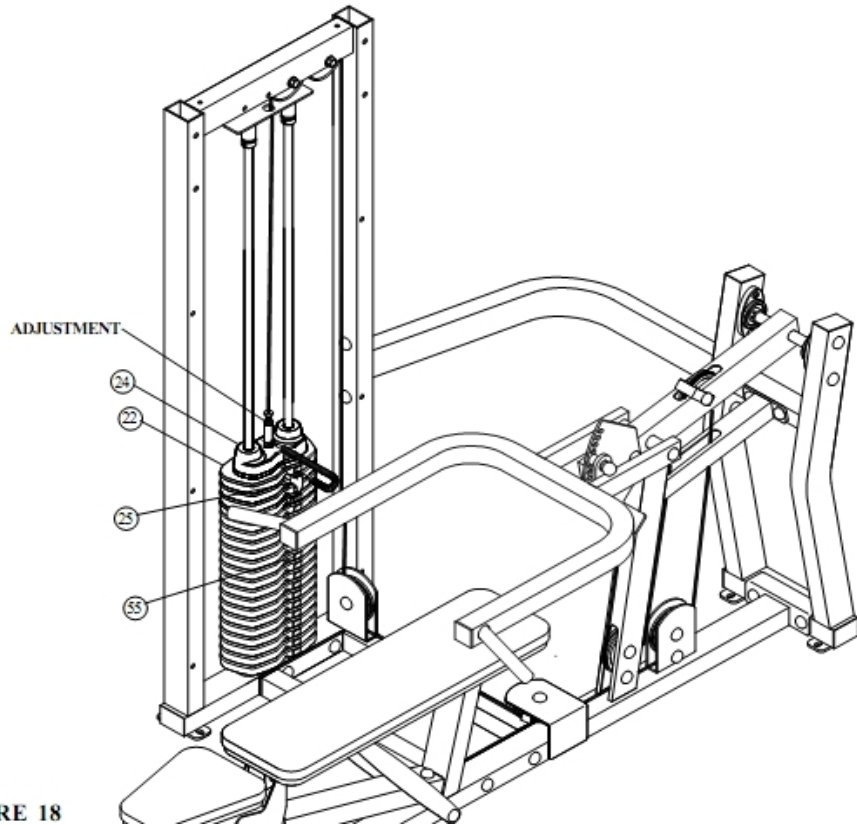


FIGURE 17

Ref #	Part Number	Qty	Description
1	ACU04-1643PLT	1	ACU:WLDMNT;PIVOT ARM;PLATINUM
9	ACU04-1639WHT	1	Guide Rod Support White
9	ACU04-1639PLAT	1	Guide Rod Holder
24	ACU10-0204ASY	1	HEAD PLATE + 20 PLATE STEM
25	ACU11-0048	1	Selector Pin
26	ACU05-0212	2	SHAFT COLLAR
39	ACUDA1C03806716 NU	14	3/8 X 67MM Bolt
49	ACUDB2E03807200 U	37	NYLON NUT - 3/8 X 7.2T
54	ACUP13-0124	1	Multi Press Cable, FSMP
60	ACUDC1250100020 U	4	WASHER- 3/8 INCH X 2.0 ZINC

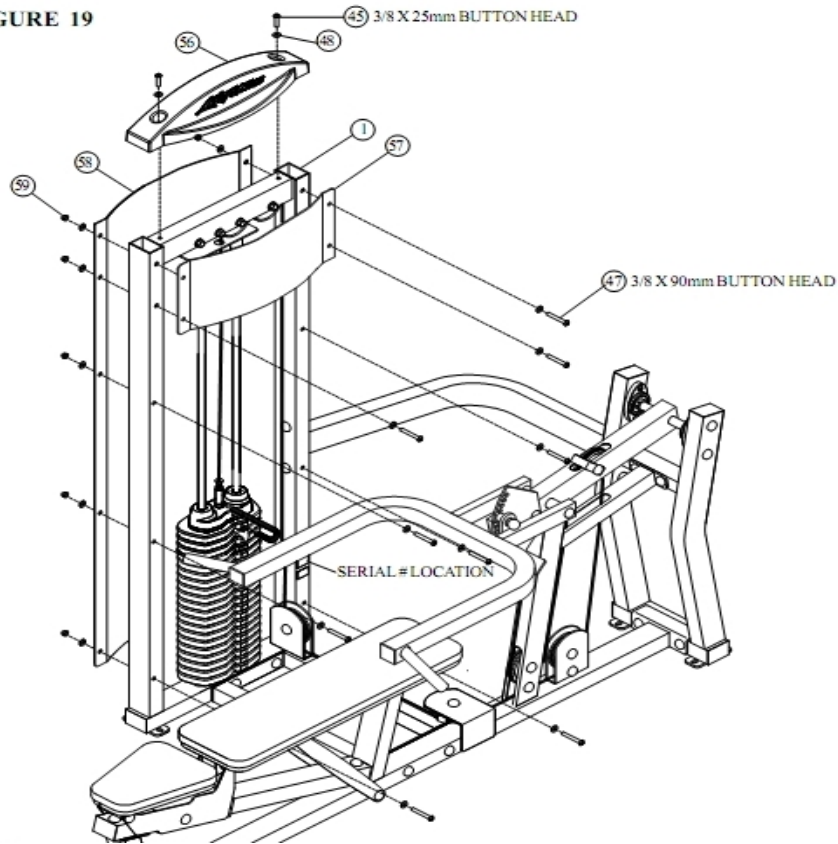
Component Assembly 18



Ref #	Part Number	Qty	Description
22	ACU7292501	20	Weight Plate
24	ACU10-0204ASY	1	HEAD PLATE + 20 PLATE STEM
25	ACU11-0048	1	Selector Pin
55	ACUMD000132	1	Label, Weight Stack 1-21

Component Assembly 19

FIGURE 19



Ref #	Part Number	Qty	Description
1	ACU04-1643PLT	1	ACU:WLDMNT;PIVOT ARM;PLATIMUM
45	ACUDAEC03802516 YB	2	BUTTON ALLEN SCREW -3/8X25L
47	ACUDAEC03809016 NB	10	BUTTON HD ALLE BOLT-3/8X90L
48	ACUDC1250100020 B	26	WASHER - 3/8 X 2.0T BLACK
56	ACUAP06-0257	1	Assembly, Fit Series, Tower Cap
57	ACU10-0227	1	Front Shroud
58	ACUA10-0230	1	Painted Assembly, FS, Tower Shroud R64 (BR3)
59	ACUDB9E03813016 B	10	ACORN NUT 3/8

Component Assembly 3

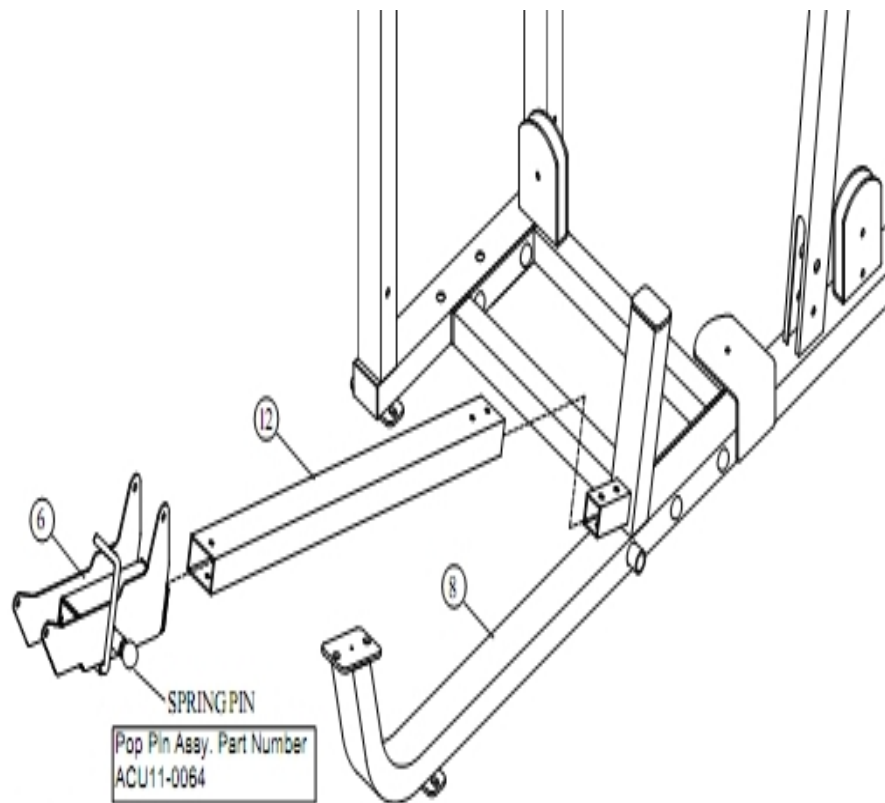


FIGURE 3

Ref #	Part Number	Qty	Description
6	ACU04-1358	1	MULTI PRESS SEAT ADJ - BLK
8	ACU04-1642PLT	1	MULTI PRESS FRAME PLT
8	ACU04-1642WHT	1	MULTI PRESS FRAME WHT
12	ACU01-2028PLAT	1	Tube 3 X 2 14GA X 38-5/16-Platinum
12	ACU01-2028WHT	1	TUBE 3 X 2 14GA X 38-5/16 - WH

Component Assembly 4

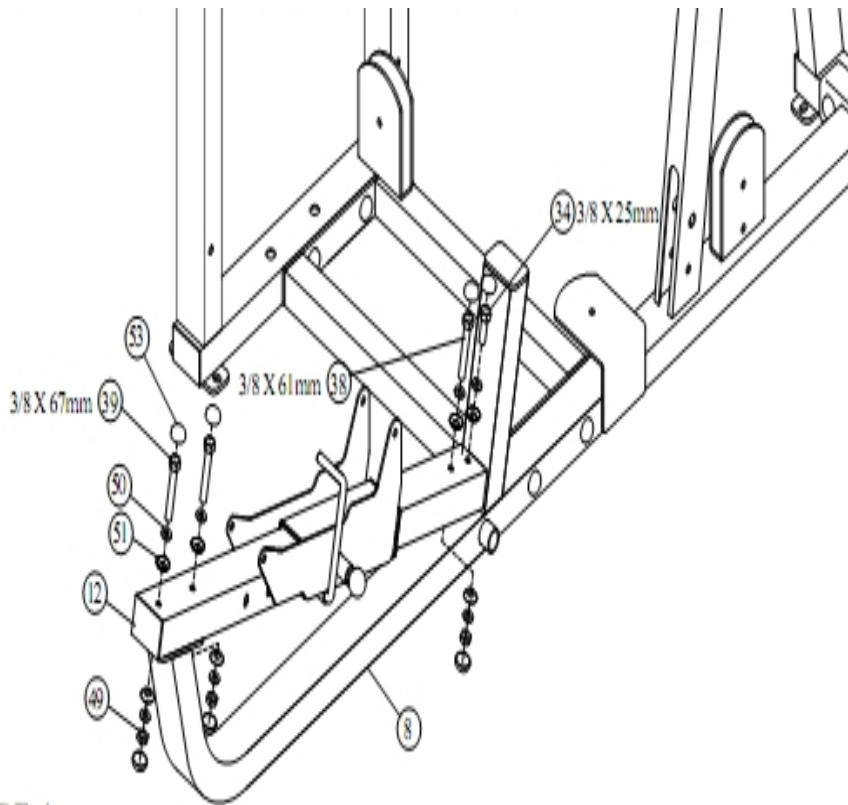


FIGURE 4

Ref #	Part Number	Qty	Description
8	ACU04-1642WHT	1	MULTI PRESS FRAME WHT
8	ACU04-1642PLT	1	MULTI PRESS FRAME PLT
12	ACU01-2028WHT	1	TUBE 3 X 2 14GA X 38-5/16 - WH
12	ACU01-2028PLAT	1	Tube 3 X 2 14GA X 38-5/16-Platinum
34	ACUDA1C03802516 NU	1	3/8 X 25MM Bolt
38	ACUDA1C03806116 NU	2	HEX Bolt - 3/8 X 61L
49	ACUDB2E03807200 U	37	NYLON NUT - 3/8 X 7.2T
50	ACUDC120010510U	69	WASHER, FLAT 3/8" SAE ST ZN - 20X10.5X1.0
51	ACU05-0310	69	SHIM WASHER - 27.6 X 10.3 X0.6
53	ACU06-0357WHT	52	CAP - RH WHT
53	ACU06-0357PLAT	52	CAP - RH PLAT

Component Assembly 5

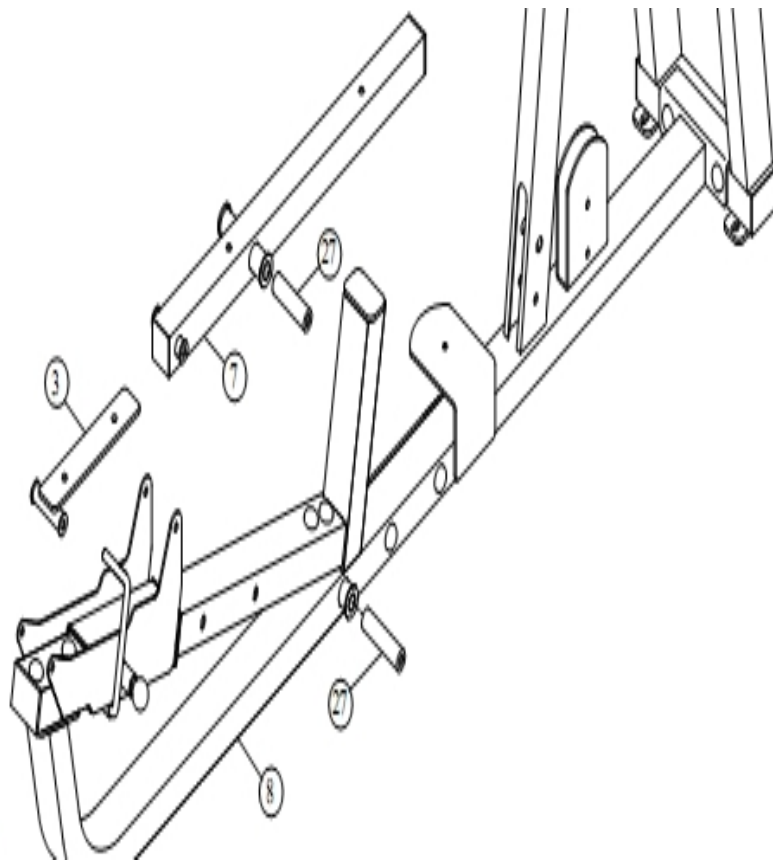


FIGURE 5

Ref #	Part Number	Qty	Description
3	ACU04-1361BLK	1	SEAT PAD SUPPORT; BLK
7	ACU04-1362BLK	1	BACK PAD SUPPORT; BLK
8	ACU04-1642WHT	1	MULTI PRESS FRAME WHT
8	ACU04-1642PLT	1	MULTI PRESS FRAME PLT
27	ACU05-0348	2	5-1/2 PIVOT SHAFT

Component Assembly 6

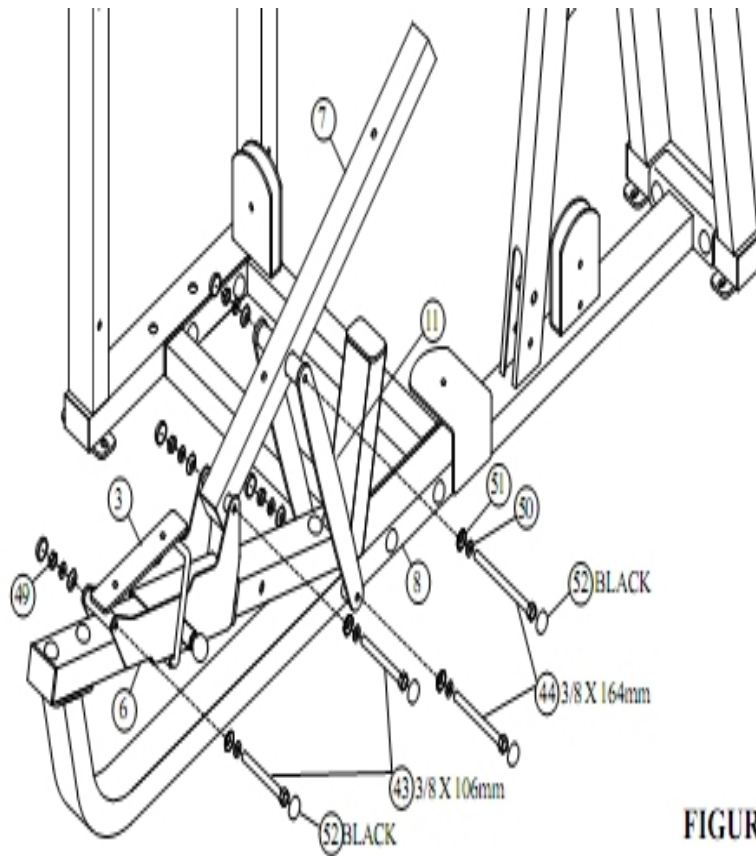
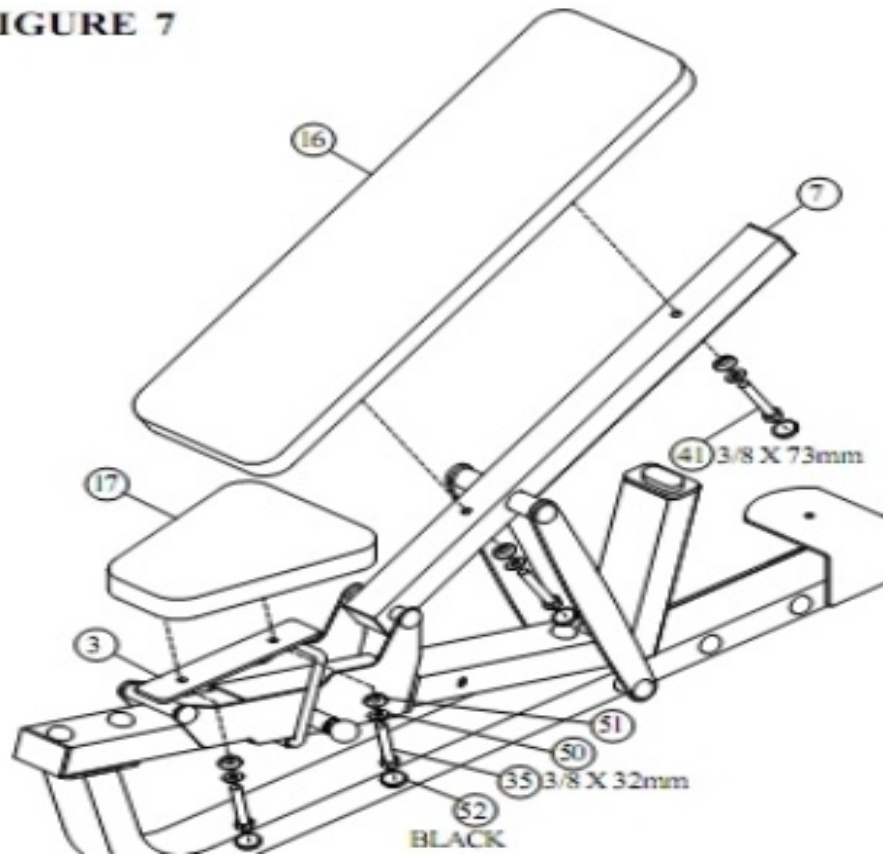


FIGURE 6

Ref #	Part Number	Qty	Description
3	ACU04-1361BLK	1	SEAT PAD SUPPORT; BLK
6	ACU04-1358	1	MULTI PRESS SEAT ADJ - BLK
7	ACU04-1362BLK	1	BACK PAD SUPPORT; BLK
8	ACU04-1642PLT	1	MULTI PRESS FRAME PLT
8	ACU04-1642WHT	1	MULTI PRESS FRAME WHT
11	ACU02-1294BLK	2	Back Pad Adjust Plate; Black
43	ACUDA1C03810616 NU	2	3/8 X 106MM Bolt
44	ACUDA1C03816416 NU	2	3/8 X 164MM BOLT
49	ACUDB2E03807200 U	37	NYLON NUT - 3/8 X 7.2T
50	ACUDC120010510U	69	WASHER, FLAT 3/8" SAE ST ZN - 20X10.5X1.0
51	ACU05-0310	69	SHIM WASHER - 27.6 X 10.3 X0.6
52	ACU06-0357BLK	17	CAP - RH BLK

Component Assembly 7

FIGURE 7



Ref #	Part Number	Qty	Description
3	ACU04-1361BLK	1	SEAT PAD SUPPORT; BLK
7	ACU04-1362BLK	1	BACK PAD SUPPORT; BLK
16	ACU07-0156	1	Multi Press Back Pad
17	ACU07-0158	1	SEAT PAD
35	ACUDA1C03803216 NU	2	HEX BOLT - 3/8 X 32L
41	ACUDA1C03807316 NU	3	3/8 X 73MM BOLT
50	ACUDC120010510U	69	WASHER, FLAT 3/8" SAE ST ZN - 20X10.5X1.0
51	ACU05-0310	69	SHIM WASHER - 27.6 X 10.3 X0.6
52	ACU06-0357BLK	17	CAP - RH BLK

Component Assembly 8

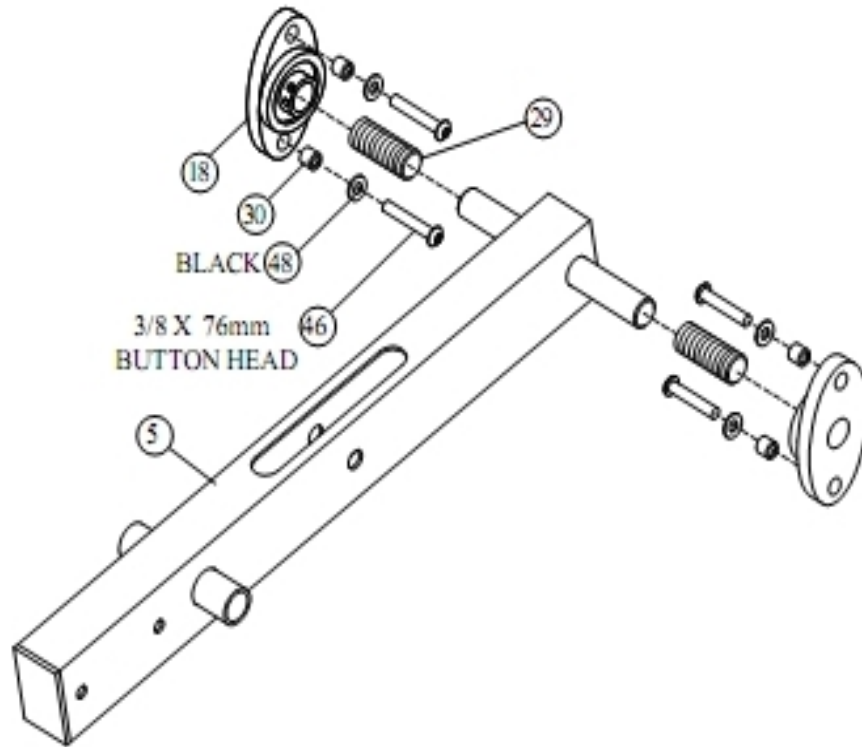


FIGURE 8

Ref #	Part Number	Qty	Description
5	ACU04-1643PLT	1	ACU:WLDMNT;PIVOT ARM;PLATIMUM
18	ACU05-0351	2	PILLOW BLOCK
29	ACU06-0371	2	Bellows
30	ACU05-0356	4	Shaft Pivot - 15.8 X 10.1 X 12
46	ACUDAEC03807616 NB	4	3/8 X 76MM Button Head Allen S
48	ACUDC1250100020 B	26	WASHER - 3/8 X 2.0T BLACK

Component Assembly 9

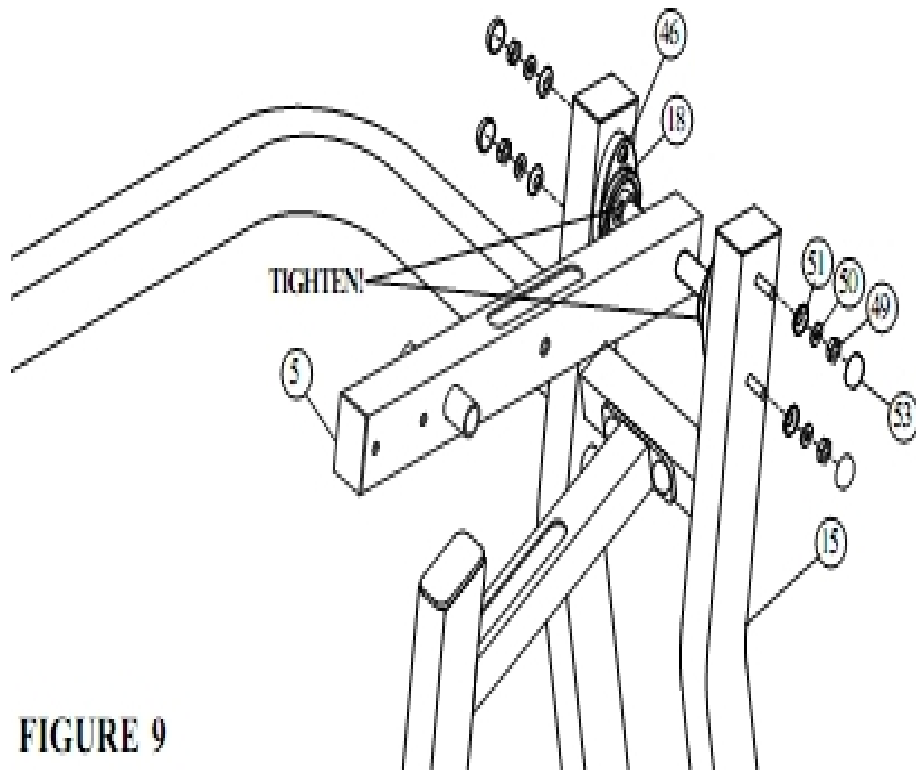


FIGURE 9

Ref #	Part Number	Qty	Description
5	ACU04-1643PLT	1	ACU:WLDMNT;PIVOT ARM;PLATIMUM
15	ACU04-1644PLT	1	WLDMNT:REAR SUPPORT;PLAT
18	ACU05-0351	2	PILLOW BLOCK
39	ACUDA1C03806716 NU	14	3/8 X 67MM Bolt
46	ACUDAEC03807616 NB	4	3/8 X 76MM Button Head Allen S
49	ACUDB2E03807200 U	37	NYLON NUT - 3/8 X 7.2T
50	ACUDC120010510U	69	WASHER, FLAT 3/8" SAE ST ZN - 20X10.5X1.0
51	ACU05-0310	69	SHIM WASHER - 27.6 X 10.3 X0.6
53	ACU06-0357PLAT	52	CAP - RH PLAT
53	ACU06-0357WHT	52	CAP - RH WHT

Miscellaneous

Ref #	Part Number	Qty	Description
-	ACU06-0383	2	HAND GRIP 31.5 X 175L
-	ACUHB-FSMPWHT	1	ACU: Hardware & Accessory; White
-	ACUHB-FSMPPLAT	1	ACU:HARDWARE & ACCESSORY;PLAT
-	ACU11-0064	1	Round Head Pop Pin
-	ACU11-0075	1	FSMP POP PIN

